

SAM[®] LC

Low Profile NCR Style

SAM LC Fan Filter Units include a 99.99% efficient HEPA filter, seismic clip suspension points and solid state variable speed control with RFI suppression.

Standard 2' x 4' models are designed to fit a nominal 2' x 4' ceiling grid with a 22.5" x 46.5" standard opening.

Housings are fabricated from steel with a white powdercoat finish.

The energy efficient motor blower is a low watt backward curved impeller, single phase, permanent split capacitor type motor blower assembly with thermal overload protection. Units are available in 115 Volt (60 Hz), 208-230 Volt (50/60 Hz) and 277 Volt (60 Hz).

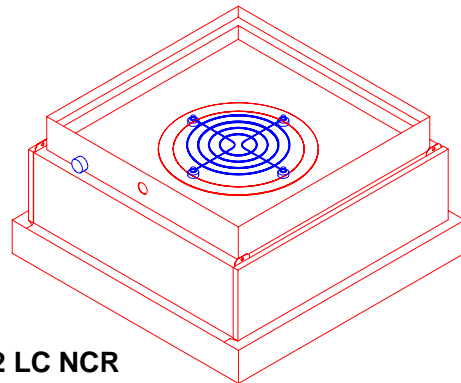
HEPA or ULPA 99.9995% eff. @ 0.12 micron final filters are protected with a white epoxy diamond pattern grille and are tested according to accepted procedures as described by the Institute of Environmental Sciences (IEST) and or ISO standards.

Options are a 30% ASHRAE pleated type prefilter, 8' power cord (110 Volt only) and a 99.9995% efficient ULPA grade final filter.

Additional options and accessories are shown in the back of this section.

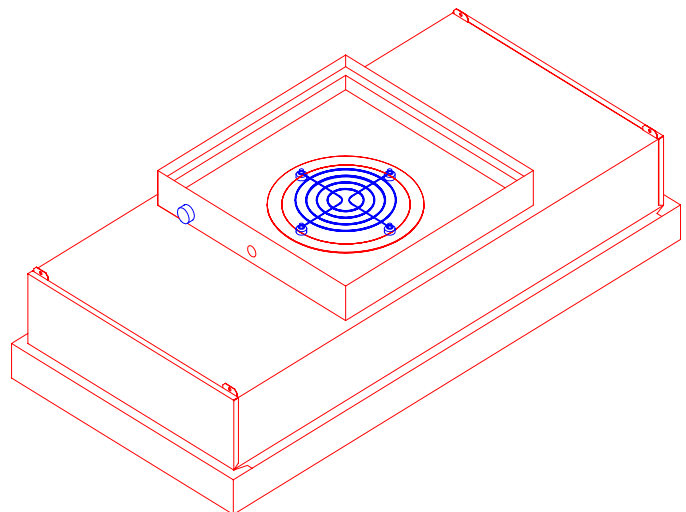
Consult with one of our cleanroom experts in your area, or call the factory for more information.

Low Cost with Superior Performance



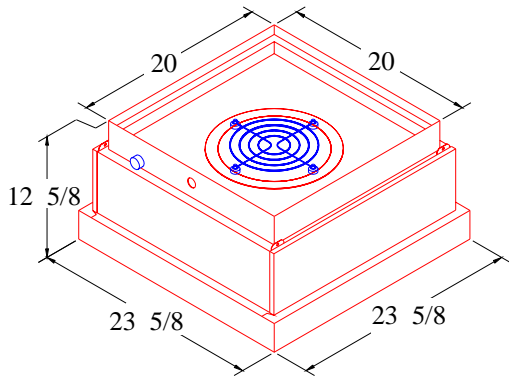
SAM 22 LC NCR

Variable Speed Control For Fine Tuning



SAM 24 LC NCR

SAM is a registered trademark owned by Clean Rooms International



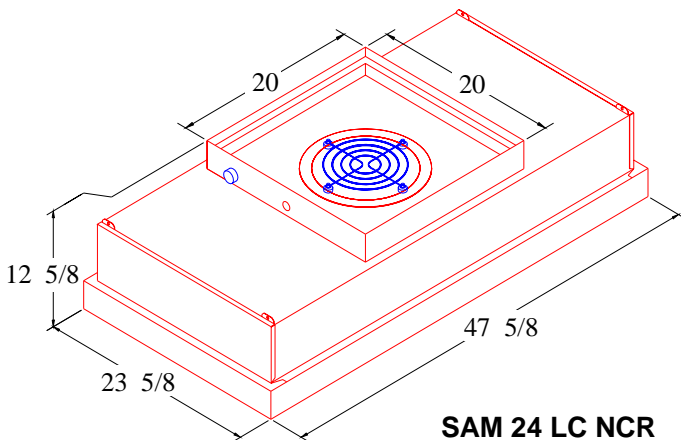
SAM 22 LC NCR

NCR Style Filter Data: Size: 23-5/8" x 23-5/8" x 3" with exposed anodized aluminum frame and diamond pattern white epoxy coated steel face screen. The HEPA Filter is designed for 90 FPM average face velocity @ initial 0.47 w.g. and has a rated efficiency of 99.99% @ 0.3 micron or larger.

Actual Size: 23-5/8" x 23-5/8" x 12-5/8"

Standard Equipment: Includes a N310 Low Watt motor and a solid state variable speed control with RFI Suppression. A safety switch is standard on 208-230 Volt units.

Options: ULPA filter, Power Cord, Duct Collar Adaptors. More options are shown in the back of this section.



SAM 24 LC NCR

NCR Style Filter Data: Size: 23-5/8" x 47-5/8" x 3" with exposed anodized aluminum frame and diamond pattern white epoxy coated steel face screen. The HEPA Filter is designed for 90 FPM average face velocity @ initial 0.47 w.g. and has a rated efficiency of 99.99% @ 0.3 micron or larger.

Actual Size: 23-5/8" x 47-5/8" x 12-5/8"

Standard Equipment: Includes a N310 Low Watt motor and a solid state variable speed control with RFI Suppression. A safety switch is standard on 208-230 Volt units.

Options: ULPA filter, Power Cord, Duct Collar Adaptors. More options are shown in the back of this section.

Consult with Factory for Horizontal Flow Applications

Ordering Information

<u>Mfg. Code</u>	<u>Model or Description</u>	<u>Size</u>	<u>Motor</u>	<u>Voltage</u>	<u>Hz</u>	<u>Watts</u>	<u>Running Amps</u>	<u>FLA</u>	<u>Weight</u>
12094	SAM 22 LC	2 x 2	N310	115	60	185	1.8	4.1	53 lbs. (24.0 kg.)
12095	SAM 22 LC	2 x 2	N310	208-230*	50/60	170	.9	2.0	53 lbs. (24.0 kg.)
12096	SAM 22 LC	2 x 2	N310	277	60	165	.6	1.4	53 lbs. (24.0 kg.)
12310	SAM 24 LC	2 x 4	N310	115	60	185	1.8	4.1	60 lbs. (27.2 kg.)
12311	SAM 24 LC	2 x 4	N310	208-230*	50/60	170	.9	2.0	60 lbs. (27.2 kg.)
12312	SAM 24 LC	2 x 4	N310	277	60	165	.6	1.4	60 lbs. (27.2 kg.)
302070	2x2 NCR Style Replacement HEPA Filter, 99.99% eff. @ 0.3 micron								
302071	2x2 NCR Style Replacement ULPA Filter, 99.9995% eff. @ 0.12 micron								
302090	2x4 NCR Style Replacement HEPA Filter, 99.99% eff. @ 0.3 micron								
302100	2x4 NCR Style Replacement ULPA Filter, 99.9995% eff. @ 0.12 micron								
302190	Prefilter 30% ASHRAE efficient, pleated type								

* 208 - 230 Volt units are equipped with a safety switch

Specification Sheets are available upon request