

General Information

A self contained SAM Fan Filter Unit provides Class 100 HEPA filtered air in a vertical laminar flow pattern within the work-space.

Electrical

Standard voltage is 115 volts with other voltage options shown on a following page. A common On/Off switch is mounted on the SAM unit that controls both the fan and the lights. All 115 volt models are equipped with a 8 foot power cord and 3 - prong plug. Other voltages require electrical connection to the power source by a qualified electrician.

Final Filter

HEPA filters are 99.99% efficient @ 0.3 micron or larger with anodized aluminum frame. ULPA grade filters are 99.9995% efficient @ 0.12 micron, and are available as an option.

Prefilter

A pleated type, disposable prefilter rated at 30% ASHRAE efficiency is standard.

Speed Control

A solid state variable speed control is mounted on the SAM unit.

Grille

Vertical flow clean benches with lights have an acrylic grille inserted in an anodized aluminum frame which is hinged to open. This permits access to the fluorescent light tubes and removal of the HEPA filter without removing the SAM unit from the frame. Vertical flow clean benches without lights have a painted white epoxy diamond pattern grille.

Construction

Clean Bench frames are white painted steel tubing with clear acrylic side and back panels and adjustable leg levelers. Work surfaces are solid core with white high pressure laminate finish. ESD, perforated and stainless steel work surfaces are available as options. Clean Bench models are available in a sit-down style with work surface 30" from floor or stand-up style with work surface 40" from floor.

Lighting

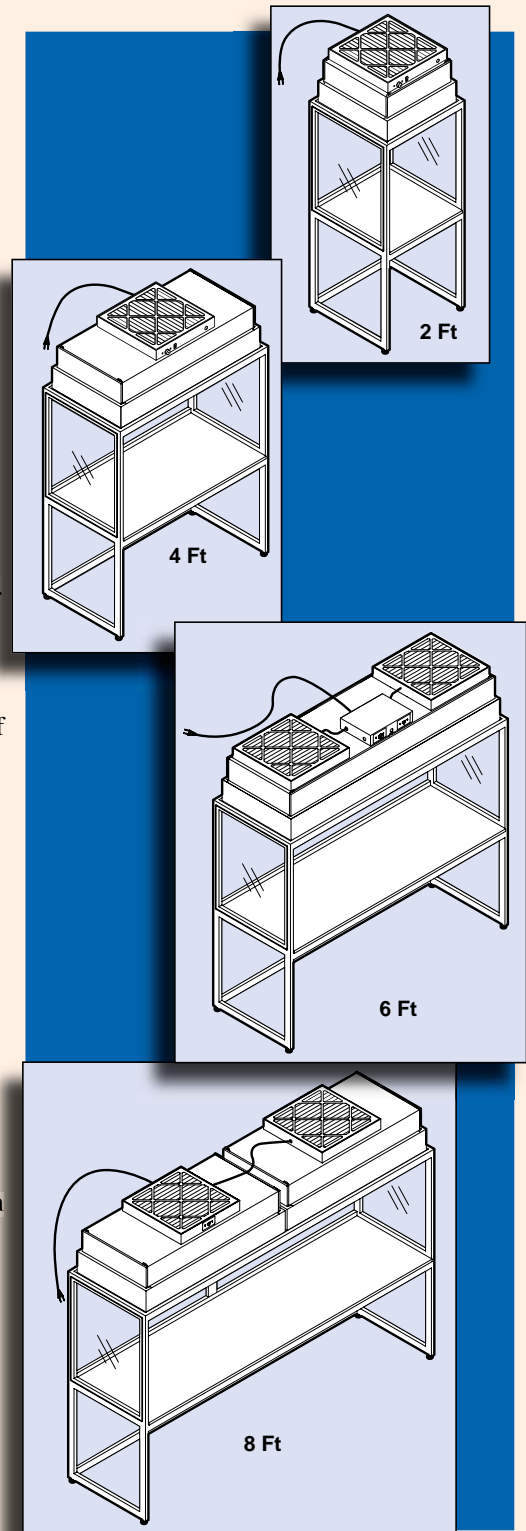
All 2', 4', & 8' vertical flow models with lights are equipped with a 4-lamp light fixture, 120 volt, 60 hz with T8, 32W electronic ballast. The 6' vertical flow models are equipped with a 2-lamp fixture, 120V, 60 hz., T12 ballast and two (2) high output lamps. Fluorescent light tubes are not furnished with the units because of potential breakage during shipment.

Shipping

Vertical Flow Clean Benches are fully assembled with the SAM unit packaged separately for safe shipping. The self contained SAM unit is easily installed in the frame on site with no special tools required.

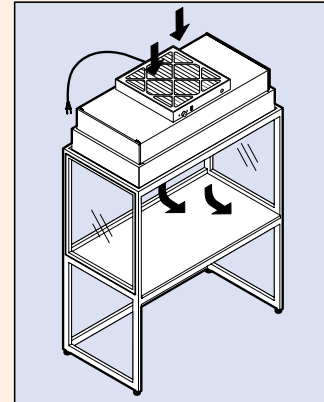
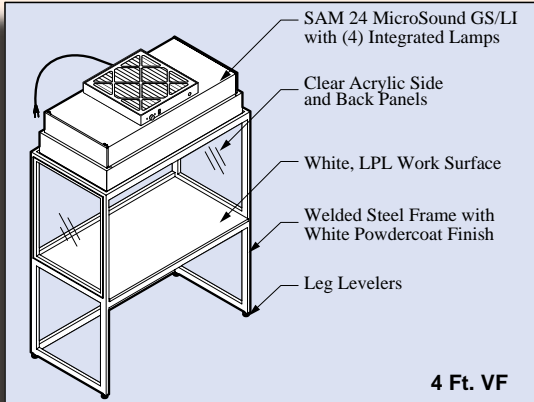
Options

See a following page for options and ordering information.



SAM is a registered trademark owned by Clean Rooms International

E Series Vertical Flow Clean Benches



| Ordering Information | | | | | | | | |
|--|---------|--------------|--------------------|--------------|---------|----------------|--------------------|---------|
| Sit-down Style Vertical Flow and Work Surface 30" from Floor | | | | | | | | |
| With Lights | | | | | | Without Lights | | |
| Model No. | Nominal | Work Surface | Overall Dim. | Opening Size | Voltage | Model No. | Overall Dim. | Voltage |
| 13200 | 2 Ft. | 24" x 25" | 26"L x 26"D x 78"H | 24"L x 30"H | 115V | 13230 | 26"L x 26"D x 73"H | 115V |
| 13201 | 4 Ft. | 48" x 25" | 50"L x 26"D x 78"H | 48"L x 30"H | 115V | 13231 | 50"L x 26"D x 73"H | 115V |
| 13202 | 4 Ft. | 48" x 32" | 50"L x 33"D x 78"H | 48"L x 30"H | 115V | 13232 | 50"L x 33"D x 73"H | 115V |
| 13203 | 6 Ft. | 72" x 25" | 74"L x 26"D x 78"H | 72"L x 30"H | 115V | 13233 | 74"L x 26"D x 73"H | 115V |
| 13204 | 6 Ft. | 72" x 32" | 74"L x 33"D x 78"H | 72"L x 30"H | 115V | 13234 | 74"L x 33"D x 73"H | 115V |
| 13205 | 8 Ft. | 96" x 25" | 98"L x 26"D x 78"H | 96"L x 30"H | 115V | 13235 | 98"L x 26"D x 73"H | 115V |
| 13206 | 8 Ft. | 96" x 32" | 98"L x 33"D x 78"H | 96"L x 30"H | 115V | 13236 | 98"L x 33"D x 73"H | 115V |
| <i>NOTE: Fluorescent light tubes not included</i> | | | | | | | | |

| Ordering Information | | | | | | | | |
|--|---------|--------------|--------------------|--------------|---------|----------------|--------------------|---------|
| Stand-up Style Vertical Flow and Work Surface 40" from Floor | | | | | | | | |
| With Lights | | | | | | Without Lights | | |
| Model No. | Nominal | Work Surface | Overall Dim. | Opening Size | Voltage | Model No. | Overall Dim. | Voltage |
| 13257 | 2 Ft. | 24" x 25" | 26"L x 26"D x 88"H | 24"L x 30"H | 115V | 13258 | 26"L x 26"D x 83"H | 115V |
| 13207 | 4 Ft. | 48" x 25" | 50"L x 26"D x 88"H | 48"L x 30"H | 115V | 13237 | 50"L x 26"D x 83"H | 115V |
| 13208 | 4 Ft. | 48" x 32" | 50"L x 33"D x 88"H | 48"L x 30"H | 115V | 13238 | 50"L x 33"D x 83"H | 115V |
| 13209 | 6 Ft. | 72" x 25" | 74"L x 26"D x 88"H | 72"L x 30"H | 115V | 13239 | 74"L x 26"D x 83"H | 115V |
| 13210 | 6 Ft. | 72" x 32" | 74"L x 33"D x 88"H | 72"L x 30"H | 115V | 13240 | 74"L x 33"D x 83"H | 115V |
| 13211 | 8 Ft. | 96" x 25" | 98"L x 26"D x 88"H | 96"L x 30"H | 115V | 13241 | 98"L x 26"D x 83"H | 115V |
| 13212 | 8 Ft. | 96" x 32" | 98"L x 33"D x 88"H | 96"L x 30"H | 115V | 13242 | 98"L x 33"D x 83"H | 115V |
| <i>NOTE: Fluorescent light tubes not included</i> | | | | | | | | |

| Options | | |
|--|---------------------------|------------------------------------|
| 208-230V, 50/60 hz motor | Casters with brakes | ESD Acrylic side and back panels |
| 277V, 60 hz motor | Duplex electrical outlets | ESD work surface |
| 250V, 50 hz lighting for export models | Front Face Shields | Stainless steel work surface |
| Duct Collar Adaptor, 10" or 12" diameter | Magnehelic Gage | Static Control Package |
| ULPA Filter 99.9995% eff @ 0.12 micron or larger | Perforated work surface | Separate switch for fan and lights |
| Refer to following pages for more options | | |